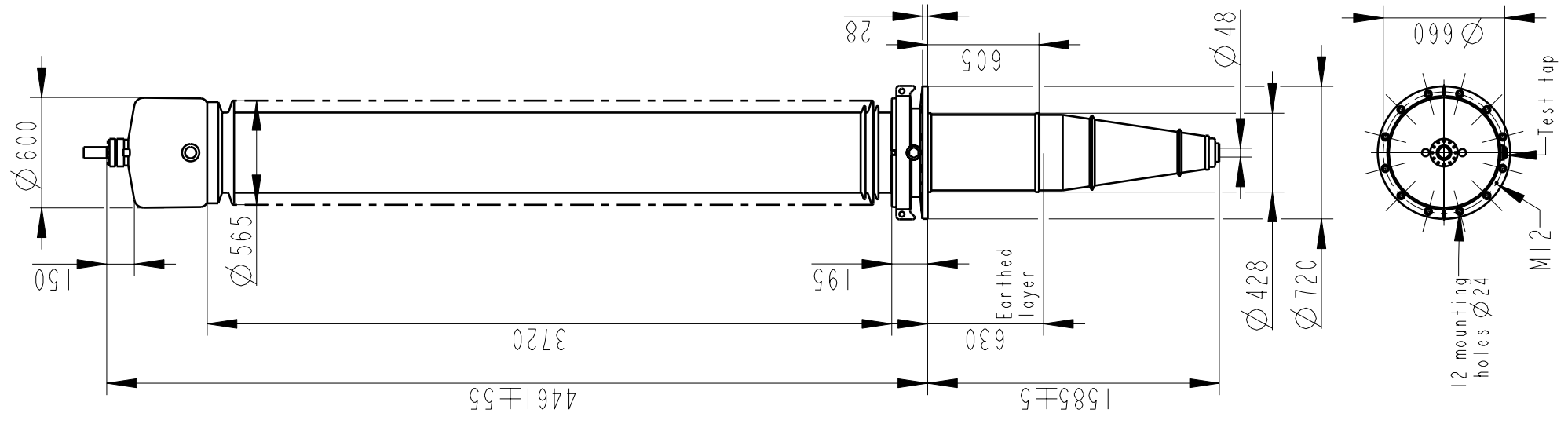


We reserve all rights in this document and in the information contained therein. Reproduction, use or disclosure to third parties without express authority is strictly forbidden.
©ABB



Bushing Data:

Rated Voltage	550	kV
Phase to-earth Voltage	318	kV
Dry Lightning Impulse I, 2/50µs	1675	kV
Wet Switching Impulse	1300	kV
Wet Power frequency AC	730	kV
Routine test I min dry 50Hz	750	kV
Rated Current	2500	A
Creepage Distance	11700	mm
Mass	1635	kg

Ordering Data:

BUSHING	COLOUR AIR INSULATOR	
LF121073 -A / -AA	BROWN / LIGHT GREY	
OUTER TERMINAL	H2 (mm)	D2 (mm)
LF170 073-A AI	125	60
LF170 073-B Cu	125	60
LF170 073-G Cu/Ag	125	60
OTHER TYPES ON REQUEST		
END-SHIELD		
LF170 046-V EPOXY INSULATED		
LF170 046-VP INSULATED WITH 3 mm PRESSBOARD		

DRAW ROD SYSTEM

LF170 059	LOWER DRAW ROD WITH NI=4 OR NI=6
LF170 057	UPPER DRAW ROD

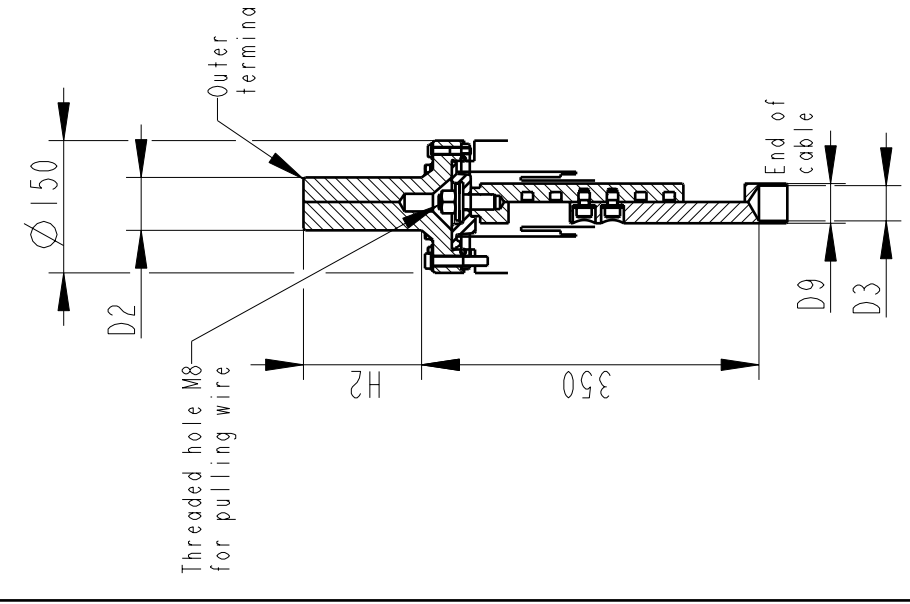
INNER TERMINAL

D3 (mm)	D9 (mm)	Cond. area (mm ²)	Current (A)	IEEE
LF170 056-E O*)	45	-	-	-
LF170 056-D	40	45	600	1600
LF170 056-D	40	45	600	1600

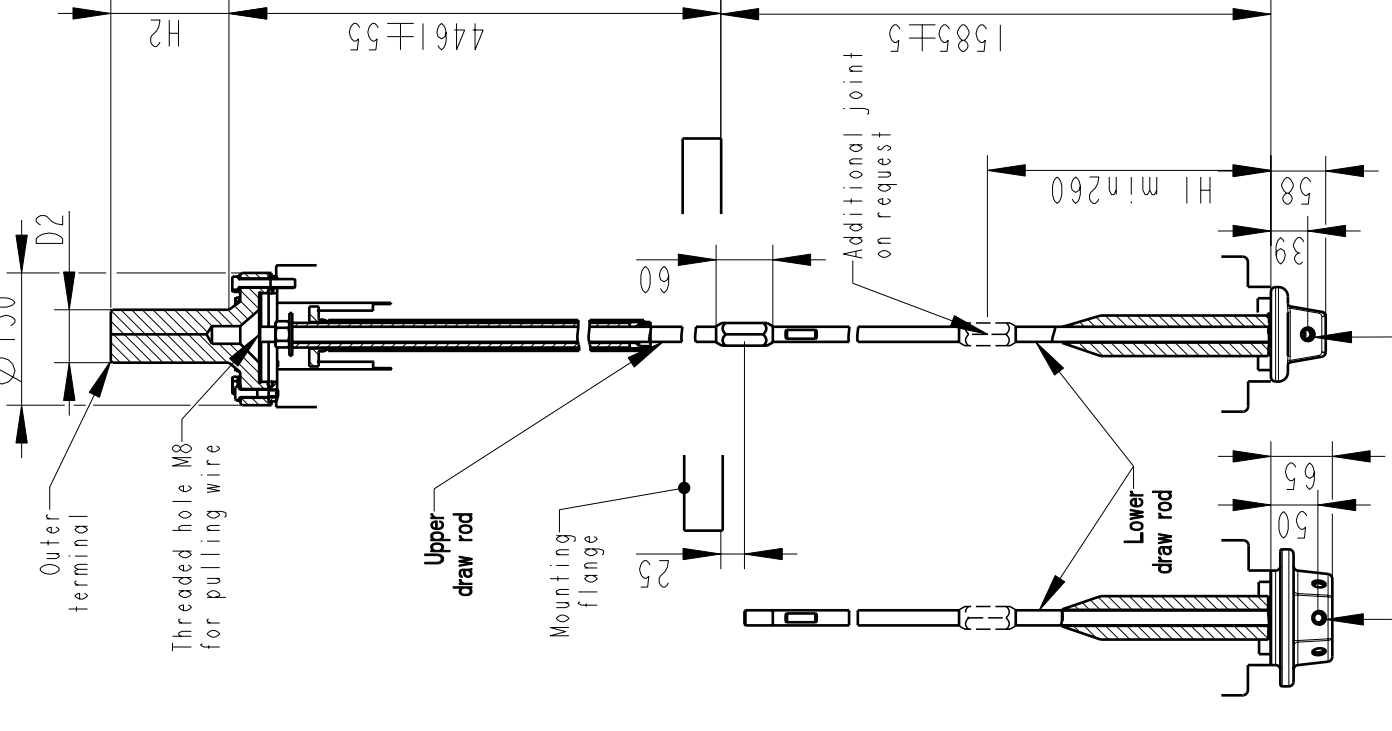
*) WITH PILOT HOLE D=5

ABB Components		Lutskia, Sweden	
Urduy	Nr.	kV I	A
U	kV SI	kV AC	Hz
M	kg L	mm D	kV
C1	pF	Tanδ	;
C2	pF	Tanδ	;

INNER TERMINAL / OUTER TERMINAL

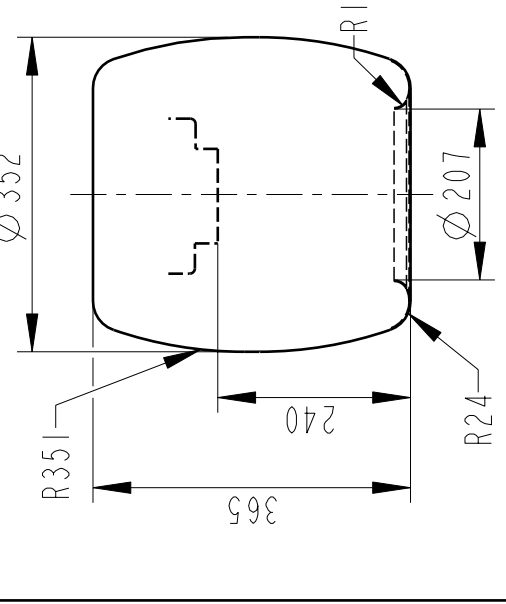


DRAW ROD SYSTEM / OUTER TERMINAL



NI=Number of holes M12, equipped with thread insert with screw lock, depth 20, for cable lugs.

END SHIELD



Based on	Reg. No.	Title
Prepared	Responsible department	GOE-1675-1175-2500-0.6
Lövnord	COM/BK 0022	
Approved	Take over department	Page 82
Johansson	Database	
Design engineering review		Document No. 2751369-36
Gutman		

Rev Ind	Revision	Appd	Date
5			
6			

V A 2 3 4 5 6

A 2 3